

LOC	DIST	REVISIONS					
		P	LTR	DESCRIPTION	DATE	DWN	APVD
A1	-		C	-3 hinzu	19FEB2002	-	Lau.
			D	NEW CAVITY DETAIL ADDED	29AUG2006	Haas	Goep.
			D1	ECR-10-026307	17JUN2011	KK	HMR

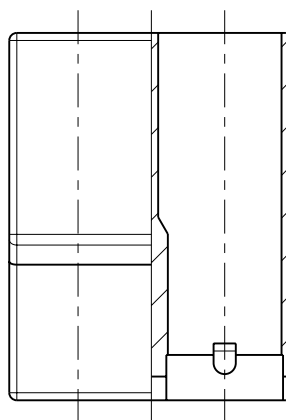
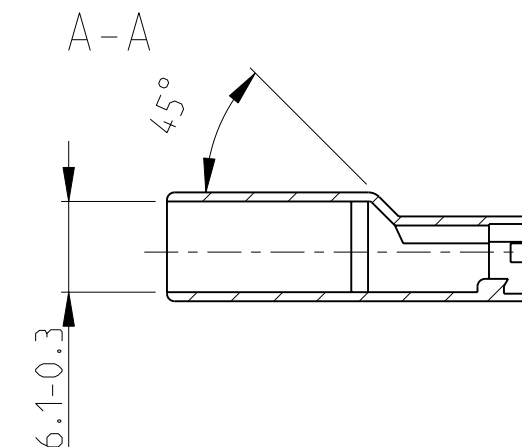
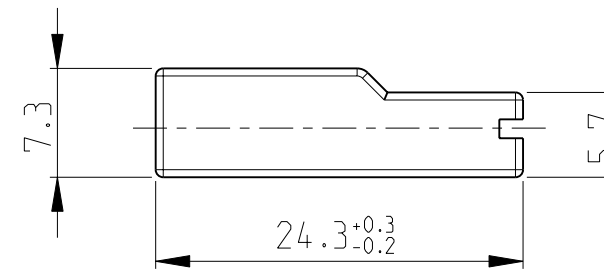
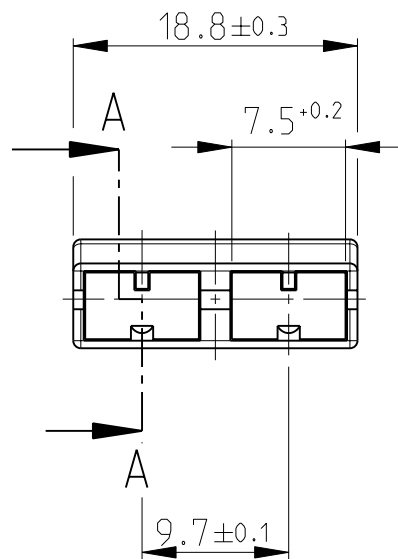
war 80-9407 was

FORD 82GB-13480-AA Nummer des Schalters  
number of the switch

FORD 82 GG 14488 NA

Bemerkungen:  
notes:

1 - FOR FORD ONLY

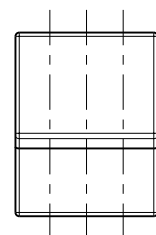
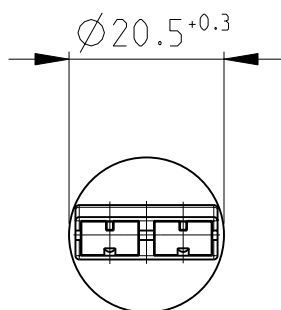


für Flachstecker: SL 100.56 Form B  
for tab:


Gehäusematerial gemäß: FORD SPEC SKM-4D 9585-A/B  
housing material to:

passend zu Zeichnung: 94BG-14474-ZAA  
fitting with drawing:

Maßstab: 1:1  
scale



OBSOLETE	<del>926 716-3</del>	PA 6.6	BLACK
	926 716-2 1	PA 6.6	NATURAL
	926 716-1 1	PA 6.6	BLACK
	PART NO	MATERIAL	COLOR

THIS DRAWING IS A CONTROLLED DOCUMENT.		DWN	W.E.Mukohl	13JUN1980	 TE Connectivity			
DIMENSIONS: mm		CHK	Wendling	-				
TOLERANCES UNLESS OTHERWISE SPECIFIED:		APVD	Bleicher, M.	01SEP2006	NAME			
0 PLC ±0.2 1 PLC ± 2 PLC ± 3 PLC ± 4 PLC ± ANGLES ±1°30'		PRODUCT SPEC		-	2POS. POSITIVE LOCK HOUSING			
MATERIAL -		FINISH -		-	APPLICATION SPEC			
		WEIGHT		1.08g	SIZE	CAGE CODE	DRAWING NO	RESTRICTED TO
		CUSTOMER DRAWING			A3	00779	926716	-
		SCALE		2:1	SHEET		1 OF 1	REV D1